

## PCS-1/SCCP PCSA-SC1

### Replace Your Conference Room Telephone With the PCS-1/SCCP for Cisco CallManager

The PCS-1/SCCP for Cisco CallManager is a Video Communication Terminal designed to seamlessly integrate with your Cisco IP communication environment. With the PCS-1/SCCP for Cisco CallManager, initiating a videoconference is as easy as making a telephone call. Soft keys can be used for a number of commands including, call forwarding, call transferring, and hold. A corporate directory (phone book) can be set up so users can quickly and easily search for people in the organization to initiate videoconference calls. The PCS-1/SCCP for Cisco CallManager is an ideal Video Communication Terminal for use in conference rooms at organizations that have adopted the Cisco CallManager.



## FEATURES

### Stylish Design

- Ideal for corporate conference rooms
- Versatile interfaces for easy integration
- Separate codec and camera unit for flexible installation
- Intuitive and user-friendly GUI, Easy-to-Use Remote Commander® unit

### High-Quality Business Communication

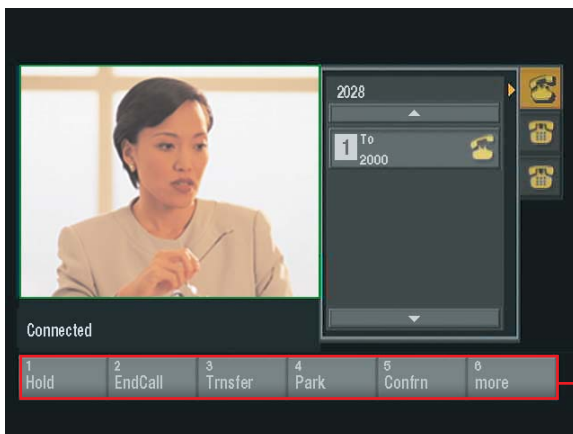
- High-Quality Audio and Video
- Bandwidth up to 1920 Kb/s
- Interoperable with H.323 and H.320 via Cisco CallManager

### Ease-of-Use/Flexible Calling Features

- 3-number Speed Dial, Abbreviated Dial (01 to 99), up to 48-call history
- Access to Corporate Directory (phone book)
- Call Forwarding, Call Transfer, Call Pick-up, Hold, Park
- Caller ID

### Easy Maintenance

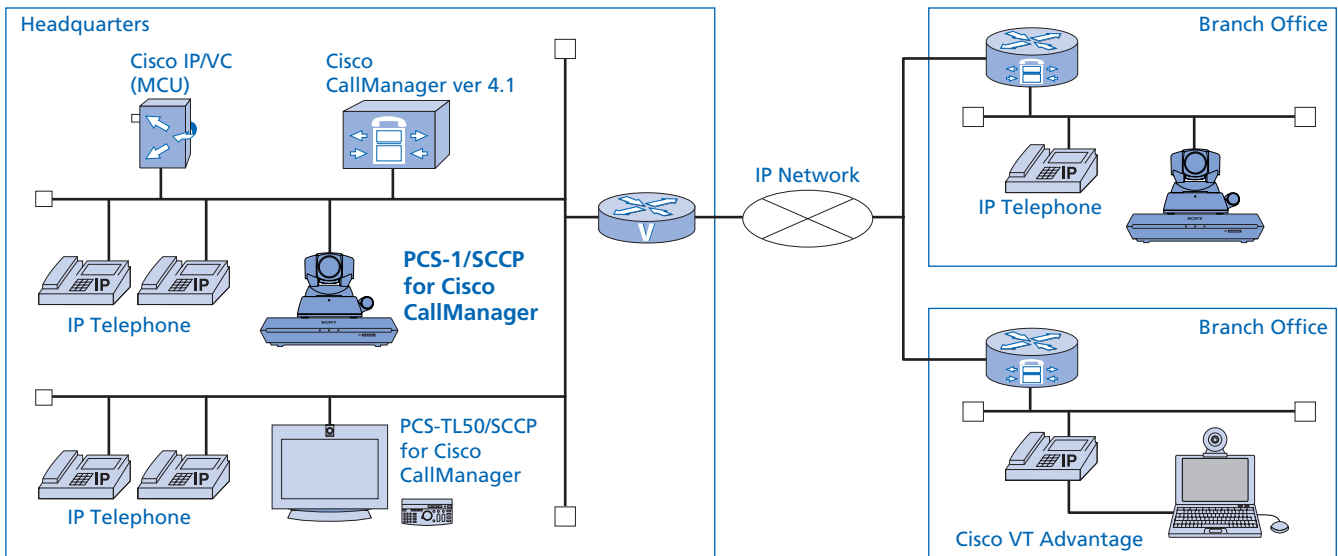
- Centralized administration (settings for entire system, software updates from Cisco CallManager)
- Separate management of videoconference system and IP-telephony system not required



GUI (Connected Status)



# SAMPLE SYSTEM CONFIGURATION



## SPECIFICATIONS

Communication	
Protocol	Cisco SCCP (Skinny Client Control Protocol) Compliant with Cisco CallManager Version 4.1
Interoperability	Interoperable with H.323 and H.320 via Cisco CallManager
MCU	Available via Cisco IP/VC
Video	
Standards	H.261, H.263, H.264
Resolution	QCIF (176 x 144), CIF (352 x 288)
Frame rate	Max. 30 frames/s
Bit rate	64 to 1920 Kb/s (incl. audio)
Audio	
Bandwidth and coding	G.711: 3.4 kHz at 56/64 Kb/s G.722: 7.0 kHz at 48/56/64 Kb/s G.723.1: 3.4 kHz at 5.3/6.3 Kb/s G.728: 3.4 kHz at 16 Kb/s*1 G.729: 3.4 kHz at 8 Kb/s
Camera	
Image device	1/4 type CCD
Horizontal resolution	470 TV lines
Focal length	3.1 to 31 mm (F1.8 to 2.9)
Focus	Auto/Manual
IRIS	Auto
Zoom ratio	x10 (optical zoom), x40 (with digital zoom)
Pan angle	-100° to +100° (Max. 300 degrees/s)
Tilt angle	-25° to +25° (Max 125 degrees/s)
Preset	Up to 6 positions
S/N	50 dB
Others	Backlight compensation, Auto white balance
Interface	
Video input	S-video x1 Composite x1
Video output	S-video x2 Composite x1 RGB x1
Audio	Line input, RCA x1 External microphone input (Plug in power) x2 Line output, RCA x1 Internal microphone x1
Network	10Base-T/100Base-TX
Control	RS-232C/VISCA (Mini-DIN 8-pin) x1 for second camera
Memory Stick	Memory Stick™ slot

General	
Operating temperature	41 to 95 °F (5 to 35 °C)
Operating humidity	30 to 70%
Storage temperature	-4 to 131 °F (-20 to +55 °C)
Storage humidity	25% to 75%
Power requirements	AC 120 V, 50/60 Hz
Power consumption	DC 19.5 V, 3.5 A
Main unit dimensions (W x H x D)	10 1/4 x 2 1/4 x 6 3/4 inches (258 x 54 x 171mm), excl. projections
Camera unit dimensions (W x H x D)	5 7/8 x 5 1/8 x 5 1/2 inches (147 x 130 x 138 mm), excl. projections
Remote Commander unit dimensions (W x H x D)	2 x 3 1/32 x 7 7/8 inches (50 x 24 x 197 mm), excl. projections
Main unit weight	2 lbs 14 oz (1.3 kg)
Camera unit weight	2 lbs 7 oz (1.1 kg)
Remote Commander® unit weight	5 oz (140 g), incl. battery
Supplied Accessories	
	Communication Terminal x 1 Camera unit x 1 Remote Commander unit x 1 Camera Cable (0.25 m) x 1 AC Adaptor x 1 IR Repeater x 2 Manganese Battery for Remote Commander unit x 2 Velcro for Communication Terminal x 2 Double-faced Tape for Camera unit x 3 Audio Cable (1.0 m) x 1 S-Video Cable (1.5 m) x 1 Operation Manual x 1 (Japanese, English, French, Spanish, Portuguese, Italian, German, Simplified Chinese) Warranty Card x 1
Optional Accessories	
	PCS-A1 Omnidirectional Microphone PCSA-A3 Unidirectional Microphone

\*1 PCS Series to PCS Series only

# SONY®

Sony Electronics Inc.  
1 Sony Drive  
Park Ridge, NJ 07656  
www.sony.com/conferencesolutions

©2005 Sony Corporation. All rights reserved.  
Reproduction in whole or in part without written permission is prohibited.  
Features and specifications are subject to change without notice.  
All non-metric weights and measurements are approximate.  
Some images in this brochure are simulated.  
Sony, Remote Commander and Memory Stick are trademarks of Sony.  
Cisco is a trademark of Cisco.